



water solutions

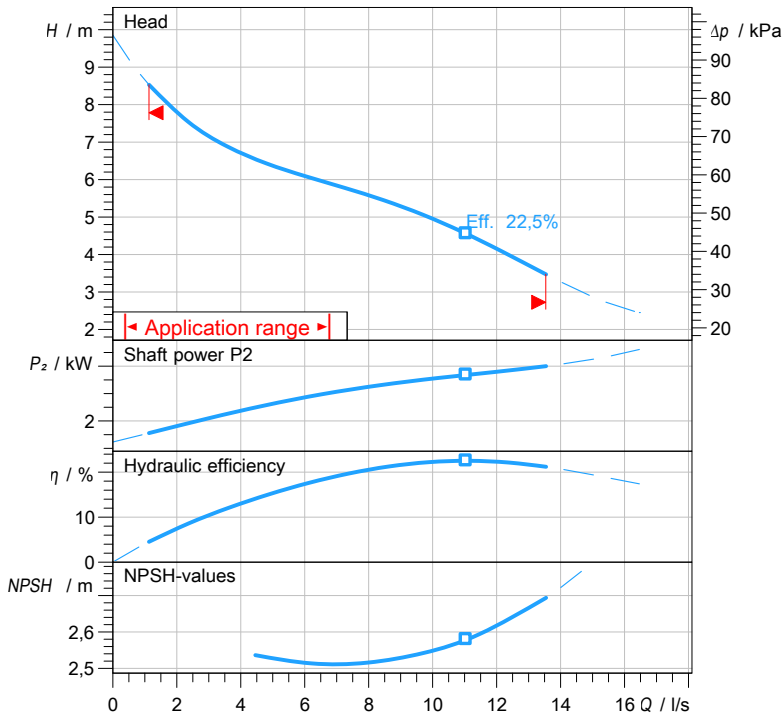
# Data sheet

## DGG 300/2/80 G0ET5

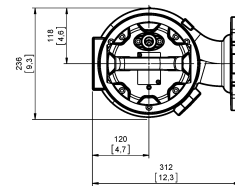
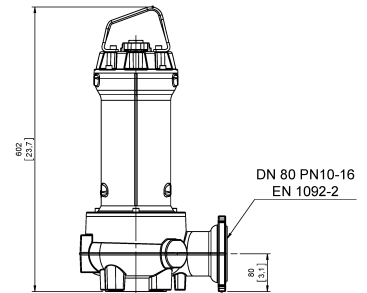

**GREY**  
series

### Technical specification

3~ 50 Hz



Characteristic curves according to UNI EN ISO 9906:2012  
 P2 < 10kW: paragraph 4.4.2  
 10kW < P2 < 100kW: Grade 3B  
 P2 > 100kW: Grade 2B



[ mm [inch] ]

#### Pump

Series	GREY series
Pump name	DGG 300/2/80 G0ET5
Configuration	NGT5B5104N00EX
Standard	ATEX 2014/34/EU
ATEX mark	II 2G Ex db IIB T4 Gb Ex h IIB T4 Gb

#### Operating limits (standard pumps)

Max. ambient temperature	40 °C
Max. density treated liquid	1100 kg/m <sup>3</sup>
pH treated liquid	6 ÷ 14
Max. start per hour (equally distributed)	30
Wet/dry use	WET
Max. acoustic pressure level	70 dB
Operating mode	S1 - Continuous use

#### Motor data

Rated voltage	400 V
Frequency	50 Hz
Motor phases	3~
Number of poles	2
Rated power P2	2,20 kW
Incoming power P1	2,76 kW
Rated current	4,6 A
rpm	2880 1/min
Efficiency	79,7 %
cos φ	0,862
Rated torque	7,3 Nm
Start	Direct starting
Starting current	28,2 A
Degree of protection	IP 68
Insulation class	H
Capacitor	
Starting Capacitor	

#### Construction materials

Case	Cast iron EN-GJL 250
Shaft	Stainless steel AISI 431
Hydraulic	Cast iron EN-GJL 250
Impeller	Cast iron EN-GJL 250
Painting/Coating	Bi-epoxy 200 μm sea water resistant
Screws	Stainless steel - Class A2-70
Gaskets	NBR

#### Construction features

Cooling system	No cooling jacket
Main cable	4G1,5 + 3x1
Cable length	10 mt
Mechanical seals	2 in silicon carbide (2SiC)
Additional drilling	-
Weight*	44,2 kg
Electrical variant	Thermal protection and leakage sensor

\* cable, stand and guiding system excluded

#### Hydraulic

Type	DG (Set-back Vortex)
Free passage	80 mm
Impeller type	Set-back Vortex impeller
Max. hydraulic efficiency	22,5 %
Suction	DN 80 UNDRILLED
Discharge	DN 80 EN 1092-2

Rev. 0 - 16-12-2014

All data shown are not binding. Zenit reserves the right to change data and dimensions without notice.

Created on 2019-11-06

zenit.com

Page 1 / 3



water solutions

# Data sheet DGG 300/2/80 G0ET5

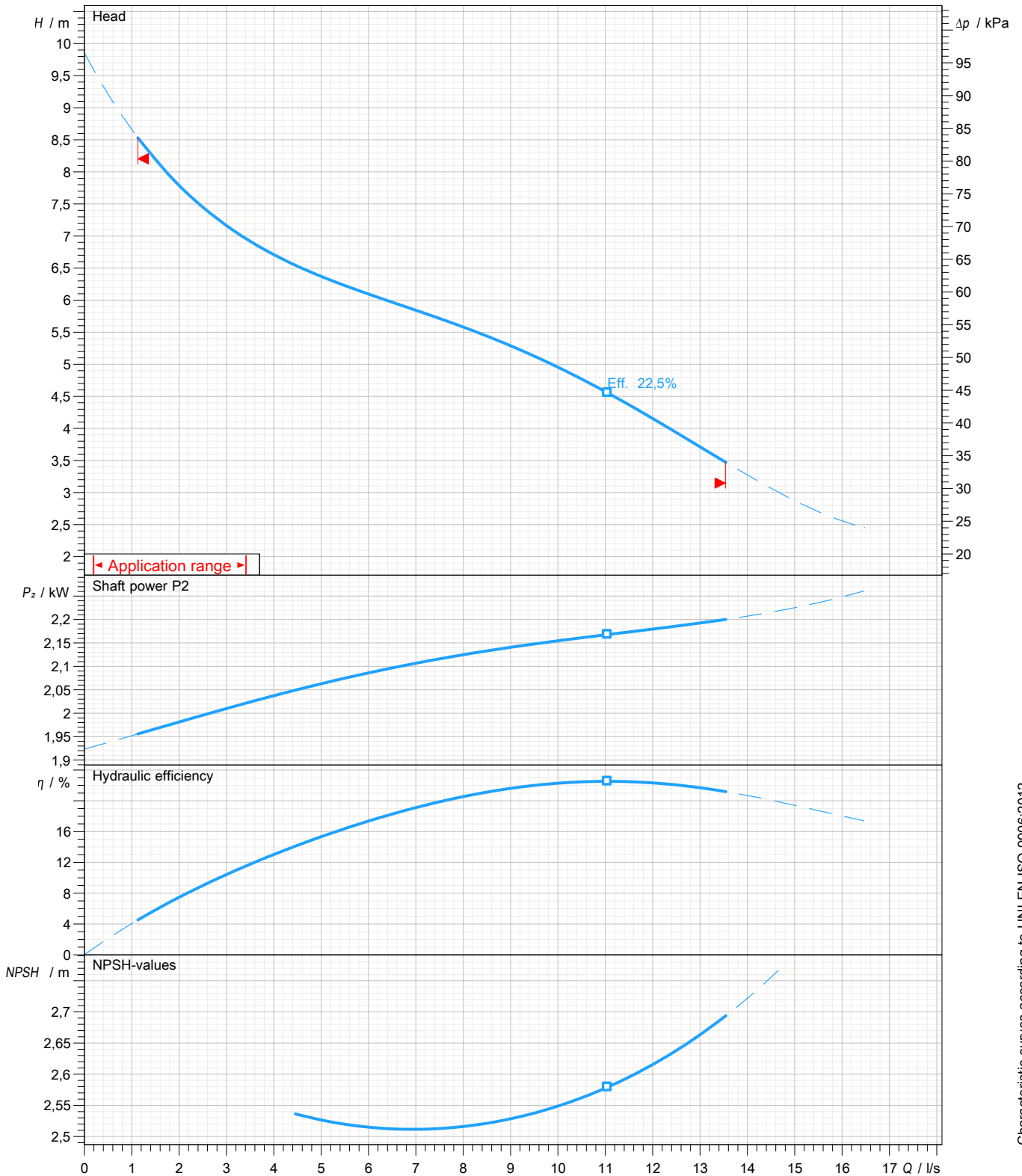


GREY  
series

## Pump performance curves

3~ 50 Hz

<b>Hydraulic type</b> DG (Set-back Vortex)		<b>Impeller type</b> Set-back Vortex impeller		<b>Free passage</b> 80 mm	<b>Discharge</b> DN 80	<b>Suction</b> DN 80
<b>DUTY POINT</b>						
<b>Flow</b>	<b>Head</b>	<b>Shaft power P2</b>	<b>Hydraulic efficiency</b>	<b>Density</b> 998,3 kg/m <sup>3</sup>	<b>Viscosity</b> 1,005 mm <sup>2</sup> /s	



Characteristic curves according to UNI EN ISO 9906:2012  
P2<10kW: paragraph 4.4.2  
10kW<P2<100kW: Grade 3B  
P2>100kW: Grade 2B



water solutions

# Data sheet DGG 300/2/80 G0ET5

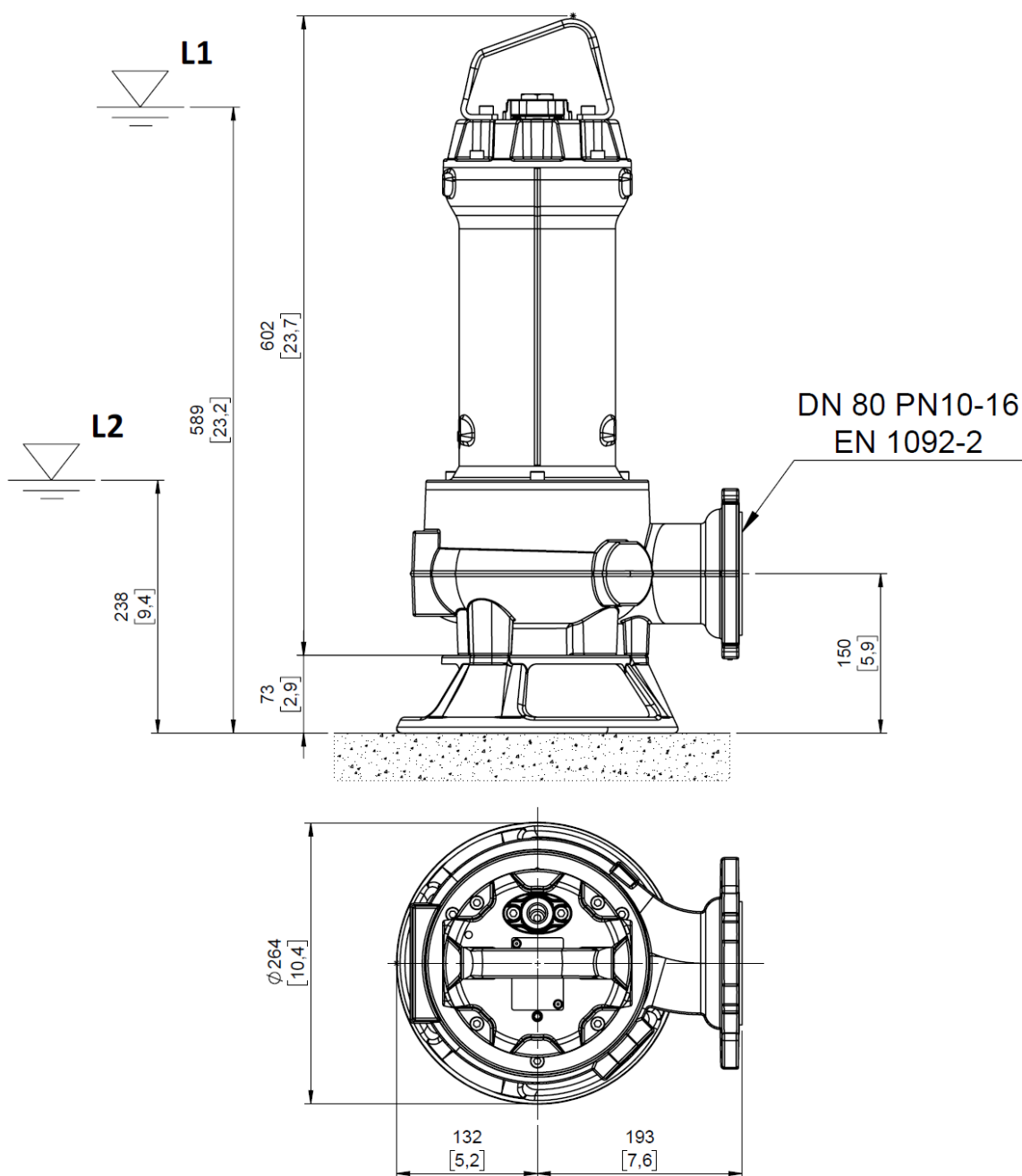


GREY  
series

## Dimensional drawing

3~ 50 Hz

<b>Installation type</b> Installation with base plate		
<b>Wet/dry use</b> WET	<b>Drilling variant</b> N	<b>Flushing valve - drilling</b> -
<b>Discharge</b> DN 80 EN 1092-2	<b>Suction</b> DN 80 UNDRILLED	<b>Pressure rating (suction/discharge)</b> -/PN 10
<b>Accessory</b> KBS 3F I184 (S)		<b>Accessory code</b> 9024.006
<b>Note: Accessory must be ordered separately</b>		



[ mm  
[inch]

L1: Minimum operating level for continuous use

L2: Minimum operating level for discontinuous use